

Statutory Declaration (Registration of Fittings)

TSK-1008

I. Declaration Information

I, Joel Feldman
Vice President, Engineering
(company title, e.g. vice president, plant manager, chief engineer)
(must be in a position of authority in the manufacturing plant where the fitting is produced)

In this space, show facsimile of manufacturer's logo or trademark as it will appear on the fitting.



of: Swagelok Company
(name of manufacturer)

located at: Headquarters: 29500 Solon Road Solon, Ohio 44139 USA
(Plant Address - Apt/Street) (City, Prov) (Postal Code)

do solemnly declare that the fittings listed hereinunder, which are subject to the **Saskatchewan Boiler and Pressure Vessel Safety Act** (check one)

- Comply with the requirements of ASME B31.1 and ASME B31.3 which specifies the dimensions, (title of recognized North American Standard) Materials of construction, pressure / temperature ratings and identification marking of the fittings, or
- Are not covered by the provisions of a recognized North American standard and are therefore manufactured to comply with _____ as supported by the attached data which identifies the dimensions, materials of construction, pressure / temperature ratings and the basis for such ratings, and the marking of the fittings for identification.

I further declare that the manufacturer of these fittings is controlled by a quality control program which has been verified by the following authority, BSI as being suitable for the manufacturer of these fittings to the stated standard. The fittings covered by this declaration, for which I seek registration, are Category C. Valves

In support of this application, the following information, calculations and / or test data are attached:
ISO 9001:2015 Certificate, Attachment A, Attachment B, Catalog Information and other Support Documents

II. Declaration

DECLARED before me at Solon In the State of Ohio
this 07th day of December, 2018
Jamie L Ristau (print name) Jamie L Ristau (Signature)
Resident Portage County Notary Public, State of Ohio My Commission Expires: 03/06/2019

III. Office Use Only

To the best of my knowledge and belief, the application meets the requirements of the **Boiler and Pressure Vessel Safety Act** and CSA B51, Clause 4.2, and is accepted for registration in Category C
CSA-0C21018.56 May 24 2019 Jan 22 2029
(Registration Number) (Date Registered - MM DD YYYY) (Expiry Date - MM DD YYYY)
(For the Administrator / Chief Inspector) R.W. Barnes



*Note: See the attachment for the scope of the registration

Attachment B: Scope of CRN Registration for Swagelok Bellows-Sealed, B Series Valves (Category C)

Product Scope

This document represents the scope of Bellows-Sealed, B Series Valves covered by this submission for CRN approval. These Bellows-Sealed, B Series Valves have been evaluated in accordance with ASME B31.1 and B31.3 for unlisted components.

Table 1 – Summary Table

Product Series	Main Pressure Bearing Component	Main Pressure Bearing Material	Port Connections and Sizes	Maximum Allowable Working Pressure		Design Code of Construction
				@100°F	At Max. Temp.	
4B, 6B, 8B (*see below)	Body, Bonnet, Bonnet nut	316 SS (ASTM A479)	Tube Fitting 1/4", 3/8", 1/2", 6mm, 10mm, 12mm Tube Socket & Butt Weld 1/4", 3/8", 1/2", 3/4" Male VCR 1/4", 1/2" Butt Welded Female VCR 1/4", 1/2"	1000 psig	BG ¹ : 400 psig @ 600°F BW ² : 200 psig @ 900°F BK ³ : 830 psig @ 200°F	ASME B31.1 (Unlisted Components) and ASME B31.3 (Unlisted Components)
		Alloy 400 N04400 (ASTM B164)		700 psig	BG ¹ : 375 psig @ 500°F BW ² : 375 psig @ 500°F BK ³ : 610 psig @ 200°F	
		Brass C36000 (ASTM B16)	Tube Fitting 1/4", 3/8", 1/2", 6mm, 10mm, 12mm Tube Socket & Butt Weld 1/4", 3/8", 1/2", 3/4"	1000 psig	BG ¹ : 150 psig @ 400°F BK ³ : 710 psig @ 200°F	
4BK, 6BK, 8BK (1 Series Air Actuated)	Body, Bonnet, Bonnet nut	316 SS (ASTM A479)	Tube Fitting 1/4", 3/8", 1/2", 6mm, 10mm, 12mm Tube Socket & Butt Weld 1/4", 3/8", 1/2", 3/4" Male VCR 1/4", 1/2" Butt Welded Female VCR 1/4", 1/2"	Normally closed: 125 psig Normally open: 500 psig Double actuating: 700 psig	Max temp = 200°F, WP same as 100°F	ASME B31.1 (Unlisted Components) and ASME B31.3 (Unlisted Components)
		Alloy 400 N04400 (ASTM B164)			Normally closed: 125 psig @ 200°F Normally open: 500 psig @ 200°F Double actuating: 610 psig @ 200°F	
		Brass C36000 (ASTM B16)	Tube Fitting 1/4", 3/8", 1/2", 6mm, 10mm, 12mm Tube Socket & Butt Weld 1/4", 3/8", 1/2", 3/4"		Max temp = 200°F, WP same as 100°F	

- * Mode of operation: hand operated and 3 series air actuated (all materials), 5 series air actuated (316 and Alloy 400 only)
- ¹ BG Series has a gasket body-to-bellows seal
- ² BW Series has a welded body-to-bellows seal
- ³ BK Series has a PCTFE (soft) stem tip and a gasket bonnet seal

THIS IS PART OF
2018-4-10-01
CRN 0021018.5

Technical Standards & Safety Authority
Boilers & Pressure Vessels
Safety Program

C.R.N. CSA-0021018.56

Signed: *[Signature]*

178 Rexdale Boulevard, Toronto, ON Canada M9W 1R3

Product Description

All B Series Valves have the same features as shown below.

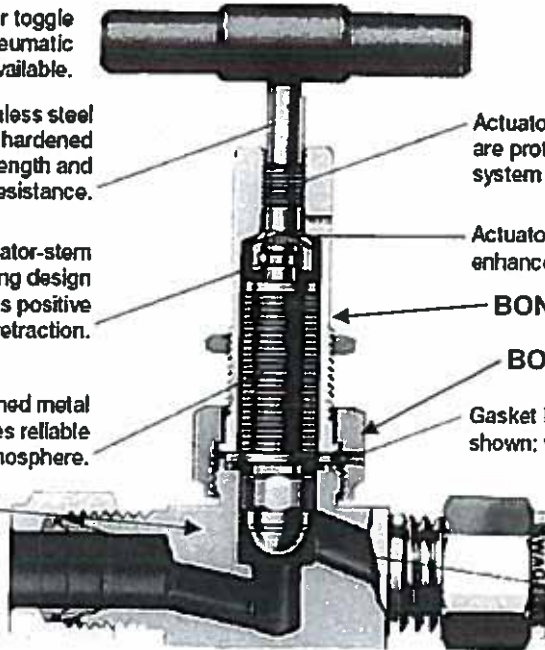
Bar, round, or toggle handle; pneumatic actuation also available.

Stainless steel actuator is hardened for strength and wear resistance.

Actuator-stem coupling design ensures positive stem retraction.

Precision-formed metal bellows provides reliable seal to atmosphere.

BODY



Actuator threads are protected from system contaminants.

Actuator backstop enhances bellows life.

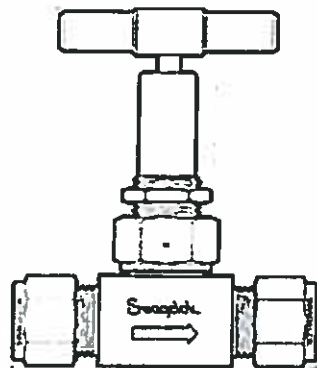
BONNET

BONNET NUT

Gasket body-to-bellows seal shown; welded seal available.

Nonrotating spherical stem tip shown; conical and regulating stem tips available.

Configurations



Tube Socket Weld and Tube Butt Weld Ends

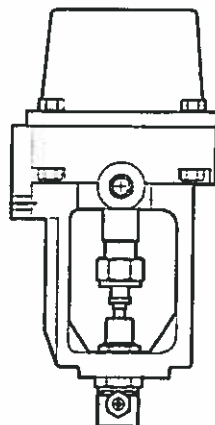


Butt Welded Female VCR Fitting Ends

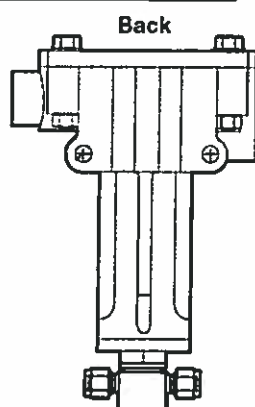


THIS IS PART OF
CRN 0021018.5
Technical Standards & Safety Authority
Offshore & Pressure Vessels
Safety

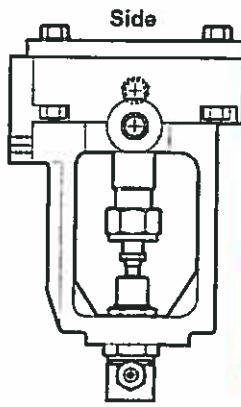
5 Series Actuator



Normally Closed

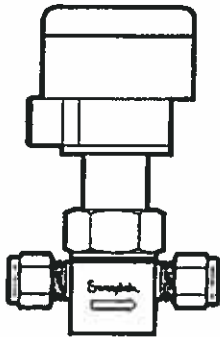


Normally Open and Double Acting

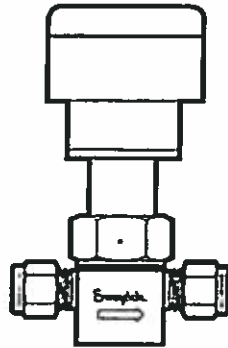


CSA Group 3074
ATTACHMENT TO
C.R.N. CSA-0021018.56
Signed: *Shut Same*
178 Rexdale Boulevard, Toronto, ON Canada M9W 1R3

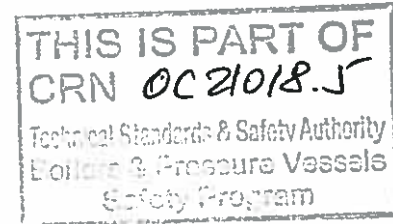
1 Series Actuator



**Normally Closed
and Double Acting**



Normally Open



Product Options:

The B Series valve stem tips and gaskets listed below affect pressure and/or temperature ratings shown in the above Summary Table, but in all cases the ratings are less than those shown below:

Stem Tips

- Alloy K-500 (regulating)
- Alloy K-500 (conical)
- Chrome-plated 316 SS (regulating)
- Cobalt-based alloy (spherical)
- PCTFE (conical)

Gaskets

- PTFE-coated 316 SS
- Silver-plated 316 SS
- PTFE-coated alloy 400
- Silver-plated alloy 400

Additional options and non-pressure boundary alterations that do not affect pressure-temperature ratings may be made available within the scope of this registration. Examples of these would include, but not be limited to, handle options, indicator switches, actuators, etc.

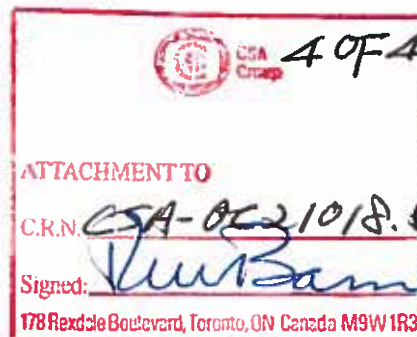
Quality System

The Swagelok Company quality system complies with the requirements of ISO 9001:2015. The Swagelok Company maintains British Standards Institution Certificate of Registration Number FM 01729, which applies to all locations listed on the Certificate.

References

The product catalog does not represent the full scope of the registration but rather details some of the most common options.


- Bellows-Sealed Valves, B Series Catalog – MS-01-22, R13



Attachment A. Swagelok Manufacturing Locations

This document lists the Swagelok locations where end item or component level manufacturing activities take place.

Swagelok Company 29500 Solon Road Solon, Ohio 44139 USA	Swagelok Company (Falon 1) 348 Bishop Road Highland Heights, Ohio 44143 USA
Swagelok Company (Highland) 318 Bishop Road Highland Heights, Ohio 44143 USA	Swagelok Company (Falon 2) 358 Bishop Road Highland Heights, Ohio 44143 USA
Swagelok Company (OFC) 29495 F.A. Lennon Drive Solon, Ohio 44139 USA	Swagelok Company (HPF) 6050 Cochran Road Solon, Ohio 44139 USA
Swagelok Company (Atlantic) 26651 Curtiss Wright Parkway Willoughby Hills, Ohio 44092 USA	Swagelok Company (Snow Metal) 6060 Cochran Road Solon, Ohio 44139 USA
Swagelok Company (Micro) 26653 Curtiss Wright Parkway Willoughby Hills, Ohio 44092 USA	Swagelok Company (Alfred) 29500 Ambina Drive Solon, Ohio 44139
Swagelok Hose Services Company (SHSC) 29900 Solon Industrial Parkway Solon, Ohio 44139	Swagelok Company (Strongsville) 15400 Foltz Road Strongsville, Ohio 44119
Swagelok (China) Fluid System Technologies Ltd. Changshu Export Process Zone Changshu Economic Development Zone Changshu, Jiangshu 215513 China	Swagelok Limited Ballafletcher Road Tromode IM4 4RA Isle of Man


10F4

ATTACHMENT TO
C.R.N. CSA-0021018.56
Signed: [Signature]
 178 Rexdale Boulevard, Toronto, ON Canada M9W 1R3

THIS IS PART OF
CRN 0021018.5
 Technical Standards & Safety Authority
 Pressure Vessels
 Safety Program